

INSTALLATION INSTRUCTIONS
PLEASE READ ALL INSTRUCTIONS BEFORE PROCEEDING

These valves are for use on fuel tanks to comply with the new CARB and EPA standards and meet the requirements of U.S.C.G. Safety Standards (July 31, 2011) for 40 CFR Parts 9, 60, 80 et al. (Control of Diurnal Emissions From Nonroad Spark-Ignition Engines and Equipment).

Note: Installer-supplied mating components must be CARB, EPA and ABYC compliant. Mounting surface must be flat and rigid and not subject to extreme tank expansion distortion.

NOTE: These valves are designed to be connected to the 5/8" vent barb of an EPA compliant fuel fill. They should NOT be connected to a through-canister refueling vent system.

Note: The ullage depth is set by the tank manufacturer or OEM builder and cannot be changed. In order to maintain compliance with the EPA and CARB requirements, these valves that set the ullage depth cannot be interchanged having different ullage depth settings.

Fill Limit Vent Valve (FLV) Series 0586F

1. These valves are designed to mount on aluminum or plastic tank surfaces.
2. Select your mounting location. Cut out mounting template attached. Orient the template barb to the desired installation direction. The template can first be utilized to form an installer-supplied mounting gasket.
3. Then attach the template to the mounting surface and drill 1-1/2" diameter hole for the valve.
4. Mark and drill mounting screw holes for #8 mounting screws. Place the gasket (customer supplied) onto the mounting surface. Make sure to orient the hose barb in the proper direction to attach the vent line.
5. Attach 5/8" vent hose onto hose barb and tighten using a hose clamp in accordance with ABYC Fuel System Vent Hose Clamping Standards (H24 Table 3).



Fig. 0586F

Cat Nos:

- 0586F00012 - 1/2" Ullage
- 0586F00034 - 3/4" Ullage
- 0586F00118 - 1-1/8" Ullage
- 0586F00112 - 1-1/2" Ullage

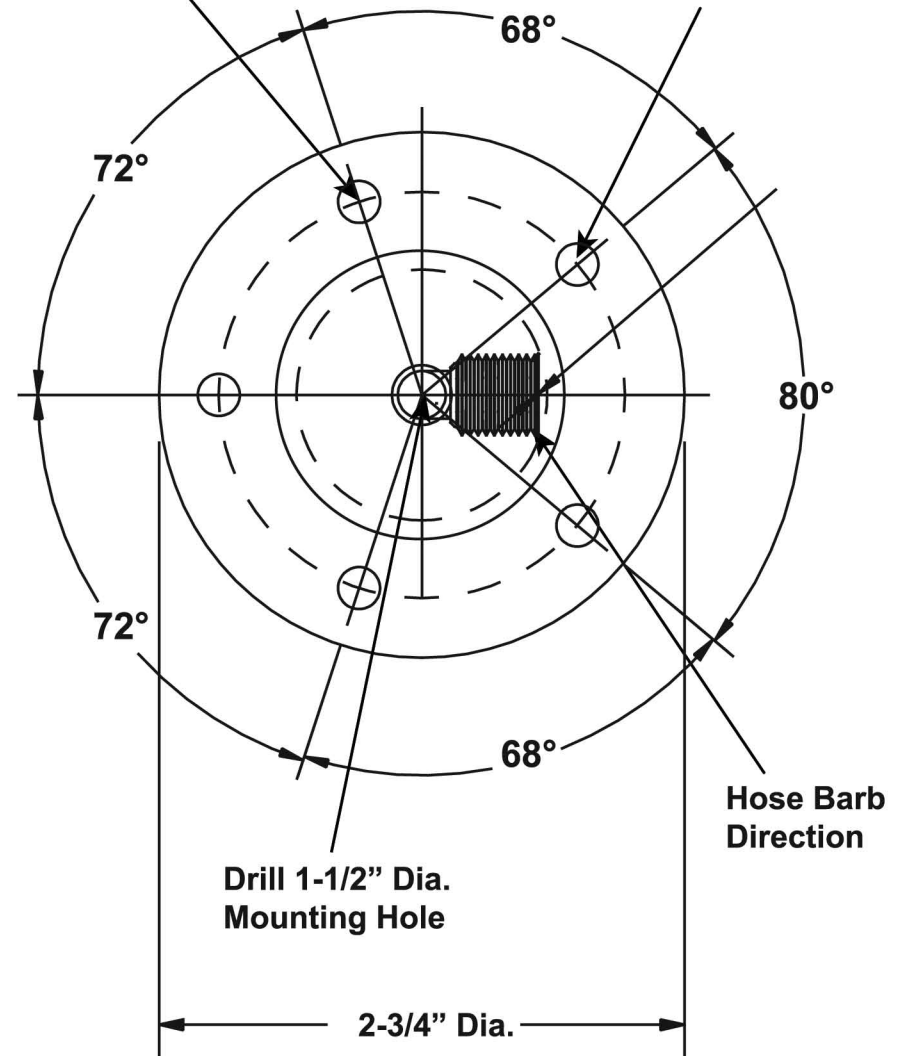
*The above referenced standards can be obtained from:

- | | | |
|---|---|--|
| (1). American Boat & Yacht Council, Inc.
613 Third Street, Suite 10
Annapolis, MD 21403 | (2) U.S. Coast Guard
Washington, D.C. 20593
(or your local C.G. office) | (3). E.P.A.
401 "M" Street S.W.
Washington, D.C. 20460 |
|---|---|--|

Mounting Template
Fig. 0586F Fill Limit Vent (FLV)

This is a 3/4" circle in order to scale internet printed templates

Note: SAE bolt circle "not" equally spaced
Drill for #8 Screws (5 Places) on a 2-1/8" Bolt Circle



Note: Installer must orient the barb in the desired direction before drilling holes